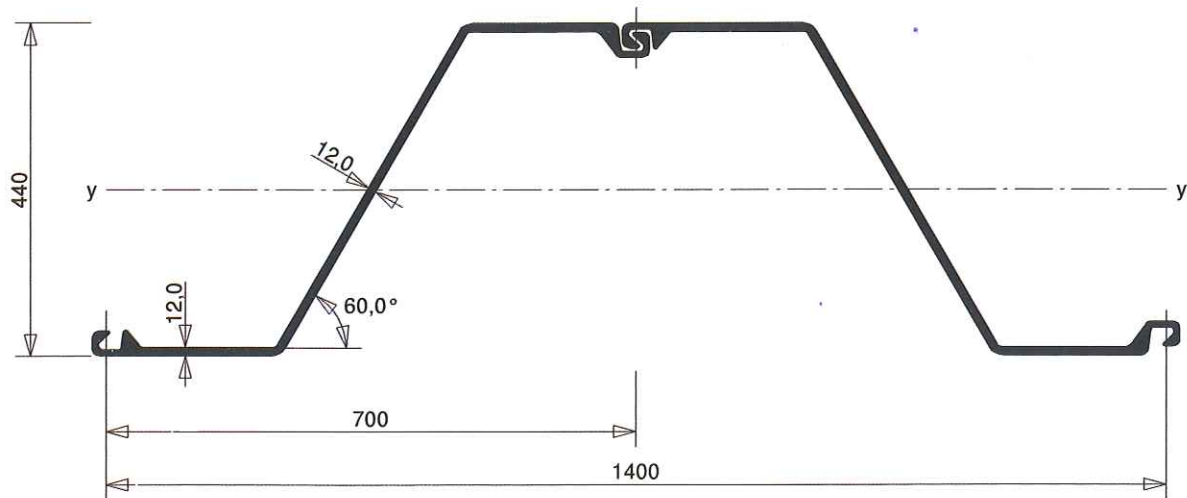


Hoesch 2607

B: 700mm, H: 440mm, W: 60,0°, T: 12,0mm, S: 12,0mm



Scale 1:10

Weight		Second Moment of Inertia	Section Modulus	Radius of Gyration	Circumference	Area
		I_y	W_y	i_y		
kg/m Single pile	kg/m ² Wall	cm ⁴ /m Wall	cm ³ /m Wall	cm	cm/m Wall	cm ² /m Wall
102,3	146,2	57200	2600	17,11	275	186,2

Classification according to DIN EN 1993-5:2007

Steel Grade	S240GP	S270GP	S320GP	S355GP	S390GP	S430GP
Class	2	2	2	2	3	3